



EAS-400A

Code: E5.840.001

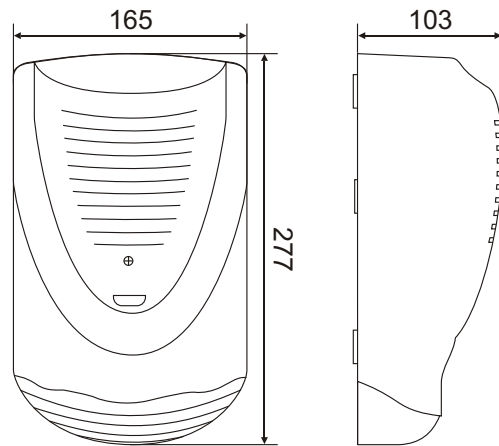
Siren with flash lamp

- Multi tone sounder with flash lamp
- High sound power
- Lamp strobe
- Outdoor use
- 12 V power supply
- High quality/price ratio
- CE approved

Multi dynamic sounder with high acoustic power and flash lamp. Thanks to its particularly sophisticated aesthetics and intelligent design, this sounder is suitable for both residential and commercial environments. Excellent quality/price ratio.

GENERAL SPECIFICATIONS

Housing material	Thermoplastic, white ABS with Anti-UV
Cover material	Thermoplastic, red color or amber
Connection type	(4) terminals for shunting
Sound pressure	118dB/1m Min
Operating temperature	-5°C to +50°C
Protection degree	IP 60
Approval	CE
Protection	Metal case
Standard equipment	Dual anti-tampering switch
Packaging	1 pcs./package



ORDER CODES

Model No.	Rated Voltage	Rated Current	Acoustic Output @ 1m	Lamp	Multi Function LED	Flashlight Frequency	Color	Package Weight	Order Code	Notes
EAS-400A Red	12VDC	1.4A	118dB	High lamp	No	115/min	Red	1.2kg	E5.480.001.01	Red
EAS-400A Amber	12VDC	1.4A	118dB	High lamp	No	115/min	Amber	1.2kg	E5.480.001.02	Amber
EAS-400B Red	12VDC	1.4A	116dB	High lamp	No	115/min	Red	1.2kg	E5.480.001.03	Commercial
EAS-400LED	12VDC	1.4A	118dB	High lamp	Yes	115/min	White	1.2kg	E5.480.001.04	Luxury

* With MCU function
 * More details, see installation manuals
 * Provided writings: Order more than 1000pcs, logo available

ACCESSORIES AVAILABLE

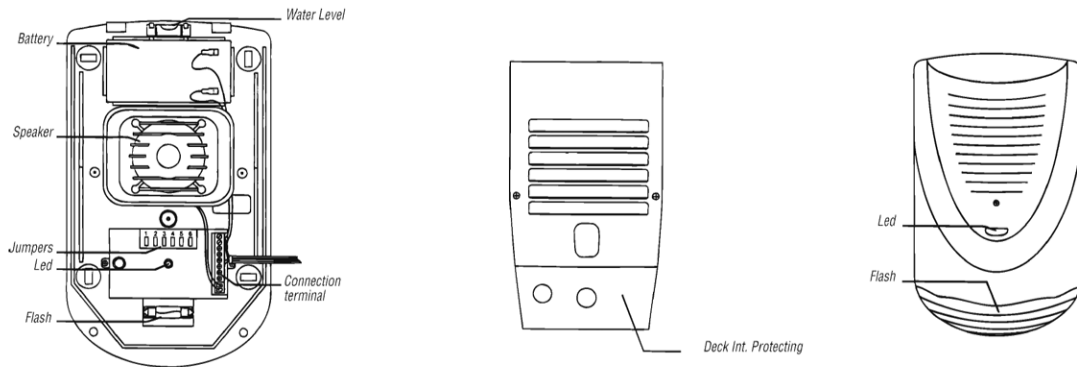
Code	Description
EB1212	Rechargeable battery 12V 1.3Ah

RECOMMENDATIONS FOR THE INSTALLATION

To optimize the siren's yield, it should be avoided to carry out wired very extensive, since the same one generates a fall of tension which produces a loss of power. For a maximum yield, the longitude of the cable should not overcome the 15 meters.



ATE20051113



INSTALLATION

The installation should be carried out with the positive terminal of the disconnected siren's internal battery. Once connected the cables of TRIGGER, and TAMPER, the siren should be energized through the tension that supplies the battery of the control panel. Finally, the positive terminal of the siren's internal battery should be connected.

Features	Siren's tone	Flash	multifunction LED	Battery 12V-1.3Ah	Piezoelectric	Dynamic	Water Level	Power Supply
EAS-400A	6	Yes	Yes	Optional	-	Yes	Yes	12 VCC

Features	Sound Level	Stand By Current	Working Current	Dimensions	Weight(Kg.)	Working Frequency	Tamper Switch
EAS-400A	118 dB	3 mA	1.4 A	280x170x97	1.2	0.5-3 KHz	N.C

TERMINALS OF CONNECTION

Terminals: POWER These two terminals are those that supply feeding to the siren. This feeding should take of the battery of the control panel.
Terminals: TRIGGER By means of this input the trigger of the siren is controlled. The same one should be connected to the BELL OUTPUT of the panel control. If the Bell Output of the control panel supply + 12 vcc, the terminal trigger should be connected the positive terminal of Bell.
Terminals: TAMPER This output is N.C.
Terminals: LED is multifunction one is twinkle and light frequently. Its control key is to turn the switch of 6th of yard switch .

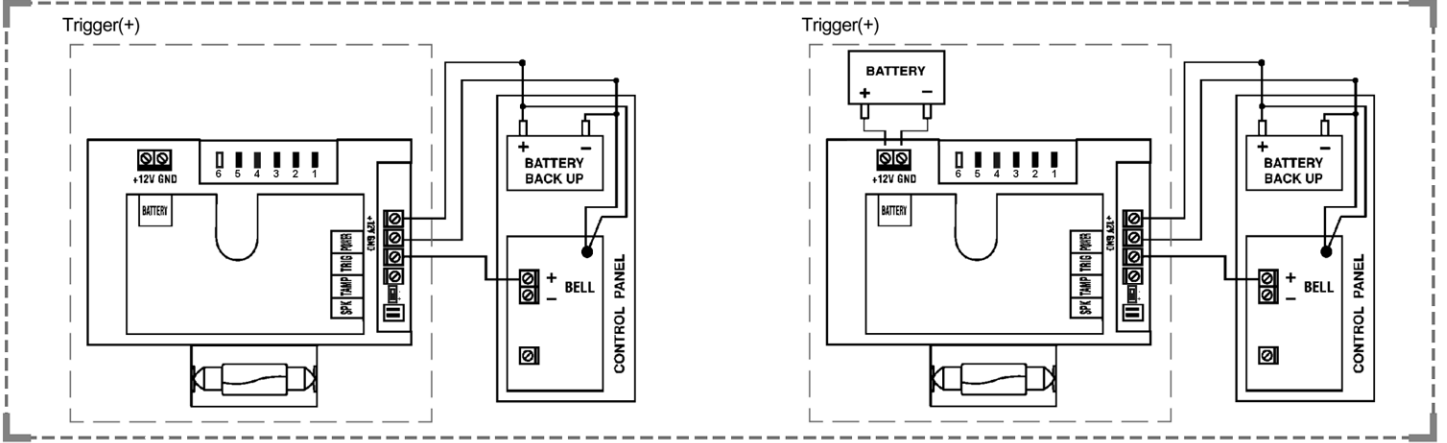
NOTOS

- I. If any of line is broken or Magnetic Contact, PIR sensor gets Signal, Siren will make sound.
- II. Our Standard Central Panel 728(Paradox).
- III. If you have different control panel, Please check your manual of Control panel.

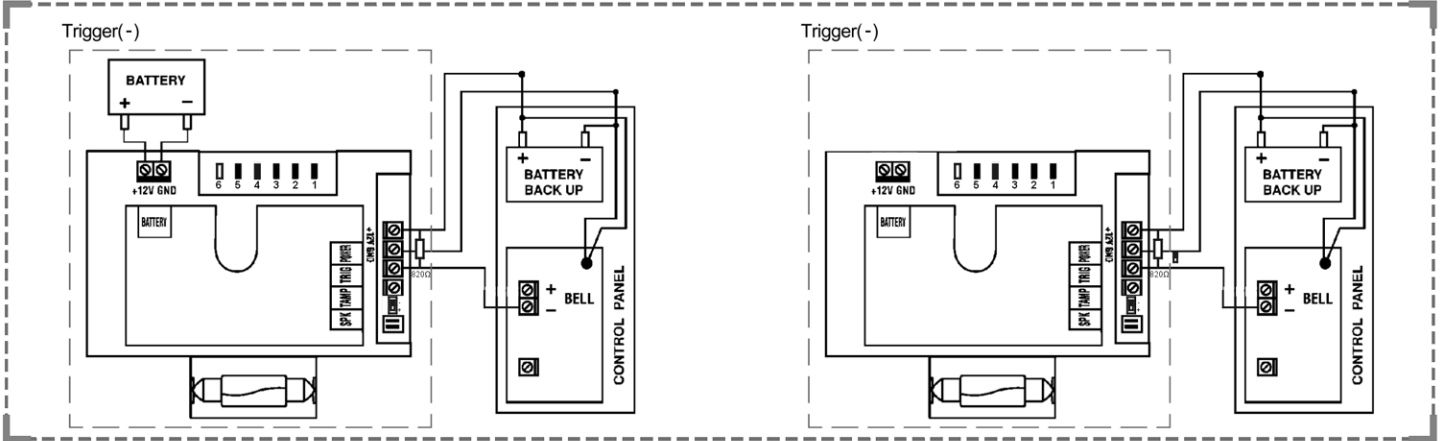
Distri buted by:

The information contained herein is believed to be correct, but no guarantee for accuracy, completeness

CONNECTION 1



CONNECTION 2



Distri buted by: